



Series 5110 250 – 2000 W tw 130 safety class I
Cross section (W x H) 105x90 mm EEI = A2
vacuum-impregnated IP 20

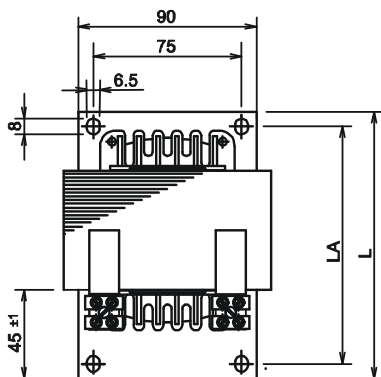
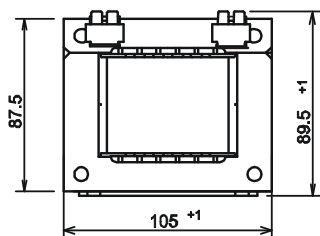


EN 61347 - 2 -9
EN 60923

All types in various input voltages and 50 Hz version available on request

Technical facts

Pos.	Typ	lamp power	current	Ref.-No.	designation	ballast voltage	$\Delta T[K]$	L [mm]	LA [mm]	weight t
1	HI	250 W	2,15 A	5110.0370.213	HIM 250-105.55-6	220V / 60 Hz	55	135	120	3,2 kg
	HM	250 W	2,15A							
2	HI	250 W	3,00 A	5110.0370.212	HIS 250-105.65-6	220V / 60	65	135	120	3,2 kg
	HS	250 W	3,00 A							
3	HM	400 W	3,25 A	5110.0450.224	HIM 400-105.60-6	220V / 60	55 60	135	120	3,7 kg
	HI	400 W	3,50 A							
4	HI	400 W	4,00 A	5110.0450.223	HIS 400-105.65-6	220V / 60	65	135	120	3,7 kg
	HS	400 W	4,45 A							
5	HS	600 W	6,20 A	5110.0850.225	HS 600-105.70-6	220V / 60	70	135	120	6,5 kg
6	HS	600 W	6,20 A	5110.1000.204	HS 600-105.50-70 (TS)	230-240V / 50Hz	50	135	120	7,8 kg
	HS	600 W	6,20 A			220-230V / 60Hz				
7	HS	750 W	7,10A	5110.0850.225	HS 750-105.75-6	220V / 60	75	135	120	6,5 kg



- overhead terminals
- screw terminal 2,5 mm²
- number of terminals depending on the model
- Special construction on request



Series 5110 250 – 2000 W tw 130

Cross section (W x H) 105x90 mm

vacuum-impregnated

safety class I

EEI = A2

IP 20



EN 61347 - 2 -9

EN 60923

All types in various input voltages and 50 Hz version available on request

Technical facts

Pos.	Typ	lamp power	current	Ref.-No.	designation	ballast voltage	ΔT[K]	L [mm]	LA [mm]	weight t
8	HI	1000 W	9,5 A	5110.1000.205	HT 1000-105.75-6	220V / 60	75	165	123-140	7,8 kg
	HM	1000 W	7,5 A				65			
9	HS	1000 W	10,3 A	5110.1650.200	HIS 1000-105.75-623	220-230V / 60Hz	75	230	188-205	12,5 kg
	HI	1000 W	9,5 A				70			
10	HM	1000 W	7,5 A	5110.1650.201	HIS 1000-105.75-6	220V / 60Hz	60	230	188-205	12,5 kg
	HS	1000 W	10,3 A				75			
11	HI	2000 W	8,8 A	5110.2400.200	HI 2000/8-105.70-638	380V / 60Hz	70	305	263-280	18,0 kg
	HM	1000 W	7,5 A				60			
12	HI	2000 W	8,8 A	5110.2400.202	HI 2000-105.75-639	380V / 60Hz	65	305	263-280	18,0 kg
	HI	2000 W	10,3 A			380-400V / 60Hz	75			
13	HI	2000 W	8,8 A	5110.2400.204	HI 2000-105.75-637	380-400V / 60Hz	65	305	263-280	18,0 kg
	HI	2000 W	10,3 A			380-400-420V / 60Hz	75			
14	HI	2000 W	10,3 A	5110.2400.201	HI 2000-105.75-638	380V / 60Hz	75	305	263-280	18,0 kg
15	HI-(HO)	2100 W	11,2 A	5110.2400.206	HI 2000/11-105.80-637	380-400-420V / 60Hz	80	305	263-280	18,0 kg
16	HI-(HO)	2100 W	11,2 A	5110.2400.207	HI 2000/11-105.80-41	380V / 60Hz	80	305	263-280	18,0 kg
17	HI-(HF)	2060 W	12,2 A	5110.2750.205	HI2000/12-105.80-639	380-400V / 60Hz	80	305	263-280	18,0 kg
18	HI-(HF)	2060 W	12,2 A	5110.2750.203	HI 2000/12-105.80-638	380V / 60Hz	80	305	263-280	18,0 kg

- overhead terminals
- screw terminal 2,5 mm²
- number of terminals depending on the model

- optional terminal mounted on the bottom
- Special construction on request

